

# Lambda/175

Shower trolley/changing table

## Primary application

Home care  
Institutional  
Hospital

Lambda's clean look and supreme functionality exemplify innovative Scandinavian design at its best, making Lambda the ideal choice for home care and institutional use.

Lambda's many features like its class leading lifting range, the standard tilt function and adjustable side rails, make for an optimum showering aid, providing comfort and safety for the user. And all at the push of a button on the hand control.

Additional features include drainage channels on the mattress to ensure the user is not left in a pool of water before transfer, thereby enhancing both safety and comfort in a bathing situation.

Paired braking and directional locking wheels ensure ease and safety of use.

## Key standard functions

Powered height adjustment via hand control  
Powered tilt facility (Anti-Trendelenberg)  
Adjustable side, foot and head rails  
Central braking on paired wheels

## Accessories

Charger  
Additional battery  
Neck cushion  
Remote battery charger



## PRODUCT HIGHLIGHTS

- Class leading, high-low lifting range.
- Anti-trendelenberg (tilt facility) up to 10 degrees.
- Adjustable side, head and foot rails.
- Central braking and directional locking.
- Maintenance free, large low friction castors, smooth rolling for easy manoeuvrability.
- Height and tilt functions powered via hand control unit.



Paired braking and directional locking on low friction wheels.



High capacity battery.



Tilt feature for comfort, positioning and drainage.

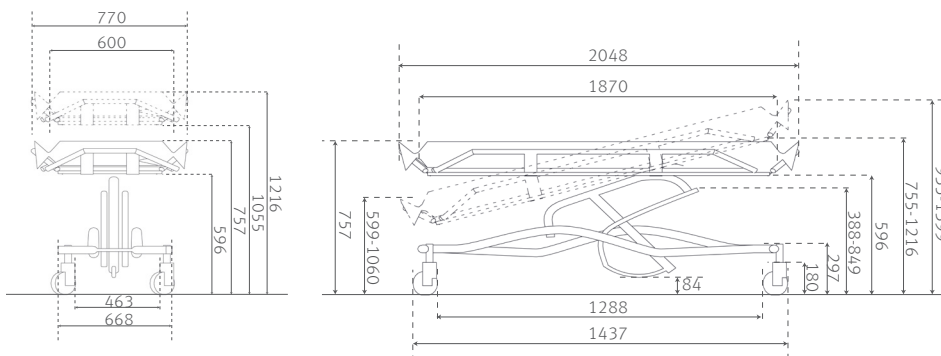


Functional hand control

Version	Item-number
Lambda with mattress	012-00002
Accessories	
Charger	253-00201
Additional battery	250-01212
Neck support	012-00005
Remote battery charger	017-00200

## TECHNICAL SPECIFICATION

Max. load	175 kg
Total weight	115kg
Lifting interval	596 / 1055 mm
Length	2048 mm
Width	770 mm
Anti Trendelenburg angle	approx. 10 degrees
Height adjustment	battery powered
Power supply	24V Linak system
Wheel diameter	ø150 mm
Material	Powder coated stainless steel



Consult the Technical manual for further specifications. All figures and measurements are for guidance only and may differ in actual situations. Ergolet reserves the right to changes without notice.

Product photos may include accessories. Consult your dealer.



date 21.02.2013 - ver. 7

Ergolet  
 Taarnborgvej 12C  
 4220 Korsoer  
 Denmark  
 tel. +45 70 27 37 20  
 e-mail: ergolet@ergolet.dk



[www.ergolet.com](http://www.ergolet.com)